

Precision - Rotary - Potentiometer DP18 D2 St

Multiple version, single tap, plug connection, sliding bearing



The potentiometer DP18 has reinforced glass fibre plastic housing of high thermal and moisture resistivity. It can also be additionally potted in order to achieve the protection class of IP65.

The potentiometer can be supplied with a shaft extending from the back of the housing, as well in a multiple version (stackable). We recommend our type DP18 St V02 with needle bearing and double slider tapper for quick rotary movement and high axial loads.

The resolution of 0,15% at 5 K-Ohm / 330° is according lower for the smaller housing diameter than for our DP25, DP113 or DP120.

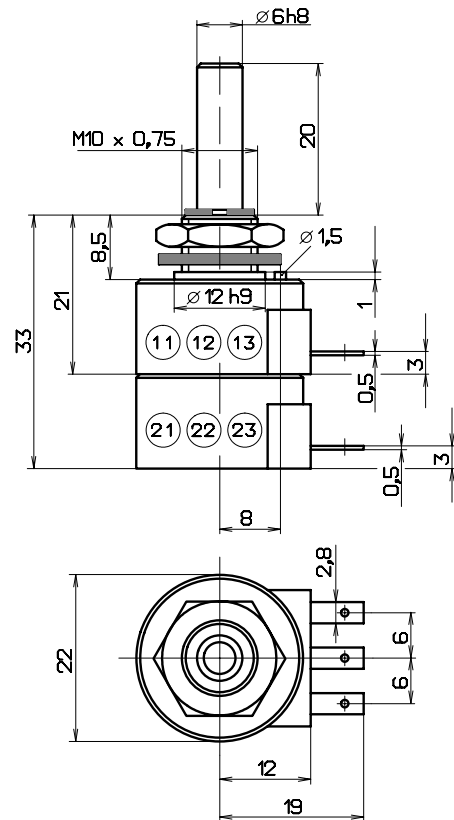
The scope of delivery includes Faston connectors DIN 46247, 6 pieces.

mechanical data

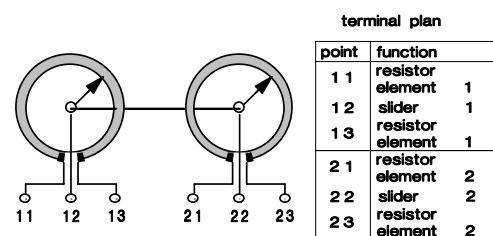
- 1.1 housing..... : reinforced glass fibre plastic
- 1.2 shaft..... : stainless steel $\phi 6^{h8}$
- 1.3 bearing..... : sliding bearing
- 1.4 resistor element..... : precision winding
- 1.5 slider tap / wiper tap..... : noble metal, single
- 1.6 housing protection class..... : IP 60
- 1.7 type of connection..... : Faston connectors DIN 46342
- 1.8 mounted by..... : central fixing M10 x 0,75
- 1.9 mechanical travel..... : 330°, stops
- 1.10 electrical travel..... : 330°
- 1.11 rotation speed..... : max. 60 rpm
- 1.12 torque..... : 0,2 to 0,3 Ncm
- 1.13 rotation load life..... : 1 x 10⁶ shaft revolutions

electrical data

- 2.1 resistance values, standard..... : 1, 2, 5, 10 K-Ohm
- 2.2 resistance values,max.possible : 20 K-Ohm
- 2.3 resistance tolerance..... : $\pm 3\%$
- 2.4 resolution at 5 K-Ohm / 330°..... : 0,15%
- 2.5 lowest starting resistance..... : 0,05% of overall resistance
- 2.6 linearity tolerance..... : $\pm 1\%$
- 2.7 insulation resistance..... : 20 M-Ohm
- 2.8 test voltage..... : 500 V, 50 Hz
- 2.9 operating voltage..... : max. 50 V
- 2.10 power rating..... : max. 1,5 Watt
- 2.11 slider load current..... : max. 1 mA
- 2.12 temperature range..... : -20°C till +100°C
- 2.13 temperature coefficient..... : 20 ppm/°C



options	accessories	other types
short-circuit left taps	outer housing	print connection
angle of rotation, electrical and mechanical	bellows coupling	
resistance tolerance: $\pm 1\%$	pin coupling	
shaft: special length, extending from back of housing	microswitch	
slider throughrotation	scale 0 bis 100	
angle of rotation 360°	rotary knob	
torque reduct 0,1 to 0,2 Ncm	terminal wires	
protection IP64		



terminal plan		
point	function	
11	resistor element	1
12	slider	1
13	resistor element	1
21	resistor element	2
22	slider	2
23	resistor element	2

article #: 214.180200
 sheet: KE2121.DOC
 updated: 19.04.01
 order #: 21060
 side: 21 - 03