

Precision Wirewound Potentiometer DP18 St

Single tap, plug connection, sliding bearing

The potentiometer DP18 has reinforced glass fibre plastic housing of high thermal and moisture resistivity. It can also be additionally potted in order to achieve the protection class of IP 64.

The potentiometer can be supplied with a shaft extending from the back of the housing, as well in a multiple version (stackable). We recommend our type DP18 St V02 with needle bearing and double slider tapper for quick rotary movement and high axial loads.

The resolution of 0,15% at 5 K-Ohm / 330° is according lower for the smaller housing diameter than for our DP25, DP113 or DP120.

The scope of delivery includes Faston connectors DIN 46247, 3 pieces.

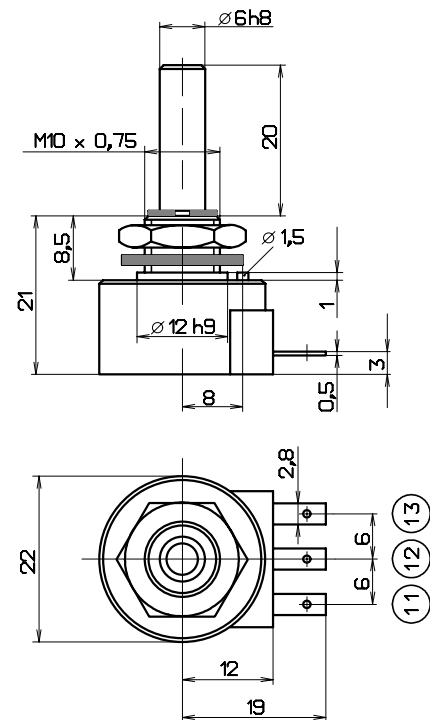


mechanical data

- 1.1 housing.....: reinforced glass fibre plastic
- 1.2 shaft.....: stainless steel $\varnothing 6^{h8}$
- 1.3 bearing.....: sliding bearing
- 1.4 resistor element.....: precision winding
- 1.5 slider tap / wiper tap.....: noble metal, single
- 1.6 housing protection class.....: IP 60
- 1.7 type of connection.....: Faston connectors DIN 46342
- 1.8 mounted by.....: central fixing M10 x 0,75
- 1.9 mechanical travel.....: 330°, stops
- 1.10 electrical travel.....: 330°
- 1.11 rotation speed.....: max. 60 rpm
- 1.12 torque.....: 0,2 to 0,3 Ncm
- 1.13 rotation load life.....: 5×10^6 shaft revolutions

electrical data

- 2.1 resistance values, standard.....: 1, 2, 5, 10 K-Ohm
- 2.2 resistance values,max.possible : 20 K-Ohm
- 2.3 resistance tolerance.....: $\pm 3\%$
- 2.4 resolution at 5 K-Ohm / 330°.....: 0,15%
- 2.5 lowest starting resistance.....: 0,05% of overall resistance
- 2.6 linearity tolerance.....: $\pm 0,4\%$
- 2.7 insulation resistance.....: 20 M-Ohm
- 2.8 test voltage.....: 500 V, 50 Hz
- 2.9 operating voltage.....: max. 50 V
- 2.10 power rating.....: max. 1,5 Watt
- 2.11 slider load current.....: max. 100 mA
- 2.12 temperature range.....: -20°C till +100°C
- 2.13 temperature coefficient.....: 20 ppm/°C



options

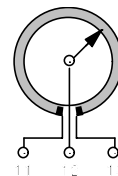
short-circuit left taps
 angle of rotation, electrical and mechanical
 resistance tolerance: $\pm 1\%$
 shaft: special length, extending from back of housing
 slider throughrotation
 angle of rotation 360°
 torque reduct 0,1 to 0,2 Ncm
 protection IP64

accessories

outer housing
 bellows coupling
 pin coupling
 microswitch
 scale 0 bis 100
 rotary knob
 terminal wires

other types

multiple version
 print connection



terminal plan

point	function	
11	resistor element	1
12	slider	1
13	resistor element	1

article #: 214.180102
 sheet: KE2101.DOC
 updated: 30.04.02
 order #: 21000
 side: 21 - 01