

Precision – Rotary - Potentiometer DP18 St Ff

With internal spring function

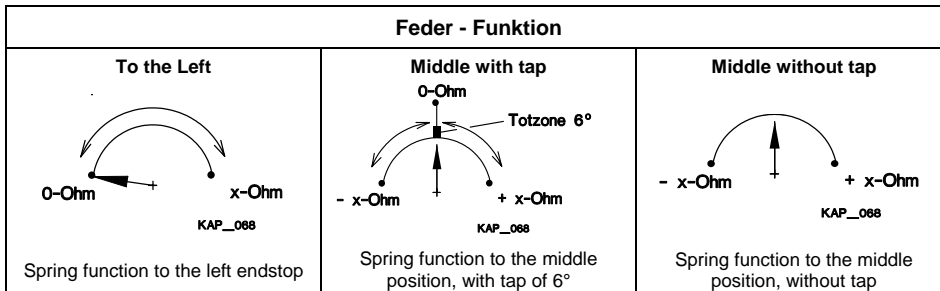
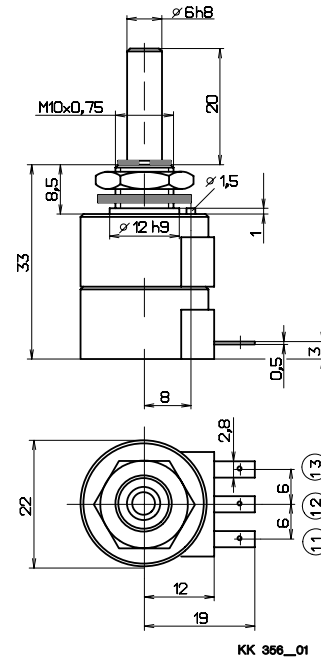


mechanical data

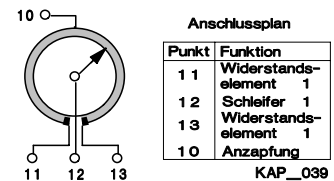
housing..... : reinforced glass fibre plastic
 shaft..... : stainless steel $\varnothing 6^{h8}$
 bearing..... : sliding bearing
 resistor element..... : precision winding
 slider tap / wiper tap..... : noble metal, single
 housing protection class..... : IP 60
 type of connection..... : Faston connectors DIN 46342
 mounted by..... : central fixing M10 x 0,75
 mechanical travel..... : see table
 electrical travel..... : see table
 rotation speed..... : max. 60 rpm
 torque..... : 5 Ncm
 rotation load life..... : 1×10^6 shaft revolutions

electrical data

resistance values, standard..... : 1, 2, 5, 10 K-Ohm
 resistance values,max.possible : 20 K-Ohm
 resistance tolerance..... : $\pm 3\%$
 resolution at 5 K-Ohm / 330°..... : 0,15%
 lowest starting resistance..... : 0,05% of overall resistance
 linearity tolerance..... : $\pm 1\%$
 insulation resistance..... : 20 M-Ohm
 test voltage..... : 500 V, 50 Hz
 operating voltage..... : max. 50 V
 power rating..... : max. 1,5 Watt
 slider load current..... : 1 mA (max., rotation load life)
 temperature range..... : -20°C till +100°C
 temperature coefficient..... : 20 ppm/°C



Orderno.	Type	Ausführung	
		Spring function	mechan. Drehwinkel
21910	DP18 St Ff 2 x 15°	to the middle position, without tap	2 x 15°
21900	DP18 St Ff 2 x 60°		2 x 60°
21912	DP18 St Ff 2 x 90°		2 x 90°
21910	DP18 St Ff 2 x 15°	to the middle position, with tap of 6° + Orderno.: 21159	2 x 15°
21900	DP18 St Ff 2 x 60°		2 x 60°
21912	DP18 St Ff 2 x 90°		2 x 90°
21913	DP18 St Ff 30° Lia	To left endstop	30°
21914	DP18 St Ff 120° Lia		120°
21915	DP18 St Ff 180° Lia		180°



sheet #: KE2145

Orderno.: See table