

Precision-Rotary-Potentiometer LP18 St

Element: Conductive Plastic, Plug connection, sliding bearing

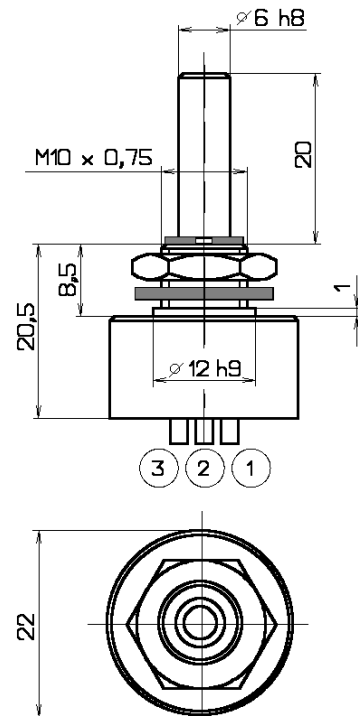


mechanical data

- 1.1 housing..... : reinforced glass fibre plastic
- 1.2 shaft..... : stainless steel $\varnothing 6^{h8}$
- 1.3 bearing..... : sliding bearing
- 1.4 resistor element..... : conductive plastic
- 1.5 slider tap / wiper tap..... : noble metal, multiple
- 1.6 housing protection class..... : IP 60
- 1.7 type of connection..... : Faston connectors DIN 46342
- 1.8 mounted by..... : central fixing M10 x 0,75
- 1.9 mechanical travel..... : 360°
- 1.10 electrical travel..... : 340° (3°)
- 1.11 rotation speed..... : max. 500 rpm
- 1.12 torque..... : 0,2 to 0,3 Ncm
- 1.13 rotation load life..... : 5 x 10⁶ shaft revolutions

electrical data

- 2.1 resistance values, standard..... : 1, 2, 5, 10 K-Ohm
- 2.2 resistance values,max.possible : 100 K-Ohm
- 2.3 resistance tolerance..... : $\pm 10\%$
- 2.4 linearity tolerance..... : 1%
- 2.5 insulation resistance..... : 20 M-Ohm
- 2.6 test voltage..... : 500 V, 50 Hz
- 2.7 operating voltage..... : max. 50 V
- 2.8 power rating..... : max. 1 Watt
- 2.9 slider load current..... : max. 1 mA
- 2.10 temperature range..... : -20°C till +100°C
- 2.11 temperature coefficient..... : 500 ppm/°C



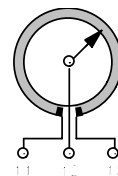
KD 22_003

options

stops
 resistance tolerance: $\pm 5\%$
 shaft: special length, extending from back of housing
 protection IP65

accessories

outer housing
 bellows coupling
 pin coupling
 scale 0 bis 100
 rotary knob
 terminal wires



terminal plan

point	function	
1 1	resistor element	1
1 2	slider	1
1 3	resistor element	1

article #: 22010
 sheet: KE2201.DOC
 updated: 28.06.01
 order #: 22 - 01
 side: