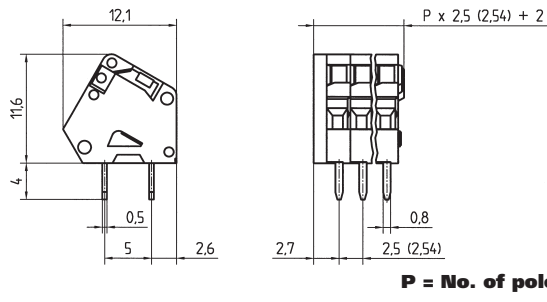
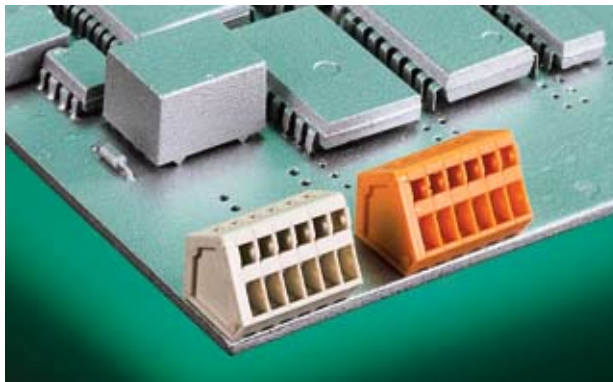
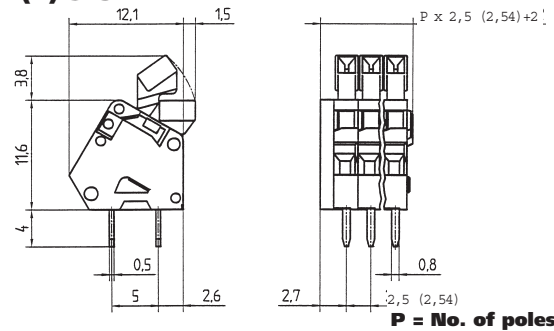


### AK(Z) 3191

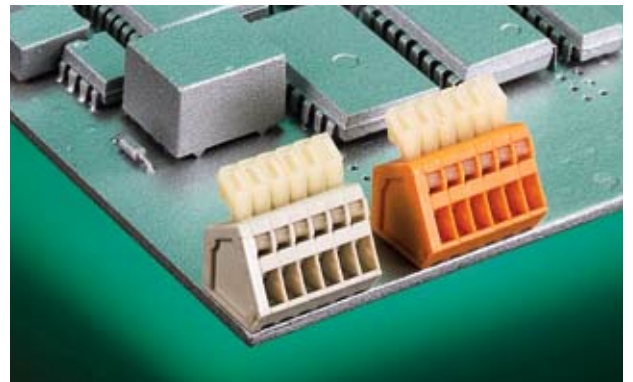


### AK(Z) 3191 KD



**AK(Z) 3191/.. - 2,5 (2,54)  
slade grey (orange)**




**2-n poles, Spacing 2,5 mm or 2,54 mm  
insert required no. of poles ..**



**AK(Z) 3191/.. KD - 2,5 (2,54)  
slade grey (orange)**

**2-n poles, Spacing 2,5 mm or 2,54 mm  
insert required no. of poles ..**

#### Ratings:

			
	UL 1059	CSA 22.2 No. 158	EN 60998
Rated Voltage	150 V	150 V	130 V
Rated Current	4 A	4 A	9 A (T60)
Wire Size	AWG 28-20	AWG 28-20	0,5 mm <sup>2</sup>
Test Voltage			1,25 kV

#### Max. Rated Cross Section

Single Wire (solid)	0,5 mm <sup>2</sup>
Stranded Wire (flexible)	on request
Stranded wire with Ferrules	on request




#### Dimensions

Spacing	2,5 mm (2,54 mm)
PCB Hole Diameter	1,1 mm (2x)
Stripped Length	5,0 mm

#### Materials

Insulating Material	PA
Flammability Class	UL94 V-0
Temperature Range	-30°C/+105°C
Cage clamp	stainless steel
Wire Guard	Cu
Colour	slade grey (orange)
	RAL 7032 (2011)

#### Ratings:

			
	UL 1059	CSA 22.2 No. 158	EN 60998
Rated Voltage	150 V	150 V	130 V
Rated Current	4 A	4 A	9 A (T60)
Wire Size	AWG 28-20	AWG 28-20	0,5 mm <sup>2</sup>
Test Voltage			1,25 kV

#### Max. Rated Cross Section

Single Wire (solid)	0,5 mm <sup>2</sup>
Stranded Wire (flexible)	on request
Stranded wire with Ferrules	on request

#### Dimensions

Spacing	2,5 mm (2,54 mm)
PCB Hole Diameter	1,1 mm (2x)
Stripped Length	5,0 mm

#### Materials

Insulating Material	PA
Flammability Class	UL94 V-0
Temperature Range	-30°C/+105°C
Cage clamp	stainless steel
Wire Guard	Cu
Colour	slade grey (orange)
	RAL 7032 (2011)