

**Power Wirewound resistors  
flame retardant, safety version**

**Specification**

Type		253-4	254-4	256-4	257-4
Power rating	$P_{40}$ $P_{70}$	2,5 2,0	3,0 2,5	4,0 3,5	5,0 4,3
Resistance range		see Page 2			
E-series		E 24			
Tolerance	%	± 5			
Temperature coefficient	$10^{-6} * K^{-1}$	120 <sup>±50</sup>			
max. cont. working voltage	$V_{RMS}$	$\sqrt{P_{70} \cdot R}$			
Insulation voltage (1min.)	$V_{RMS}$	max. 75V			
Insulation resistance	$\Omega$	not insulated			
Derating linear	°C	70 ... 350 (0W)			
Climatic category		55/200/56			
Temperature range	°C	- 55 ... 350			
Thermal resistance	KW <sup>-1</sup>	140	112	80	65
Failure rate (Total, $\vartheta_0$ max., 60% conf. lev.)	$10^{-9} * h^{-1}$	appr. 10, depends on value			
Endurance ( $P_{70}$ , 70°C, 1000h)	$[\frac{\Delta R}{R}]$ %	± 5,0 average			
Damp heat, steady state (40°C, 93% r. h., 56d)	$[\frac{\Delta R}{R}]$ %	± 5,0			
Climatic sequence (IEC 115-1/23)	$[\frac{\Delta R}{R}]$ %	± 2,0			
Resistance to soldering heat (260°C, 10s, 3mm)	$[\frac{\Delta R}{R}]$ %	± 0,5			
Solderability	s	2,5 Flowtime, solderglobule test, IEC 60068-2-20			
Terminal strength	$[\frac{\Delta R}{R}]$ %	± 0,2			
Terminal tensile strength	N	50			
Marking		printed in clear			

Distributed by ARTLAND.  
Tel: 852-26900182 Fax: 852-26900213  
E-mail: sales@artland-tech.com  
www.artland-tech.com

**Power Wirewound resistors  
flame retardant, safety version**

Type	Resistance range	
	min.	max.
253-4	* 1R0	330R
254-4	* 1R0	330R
256-4	* 1R0	330R
257-4	* 1R0	330R

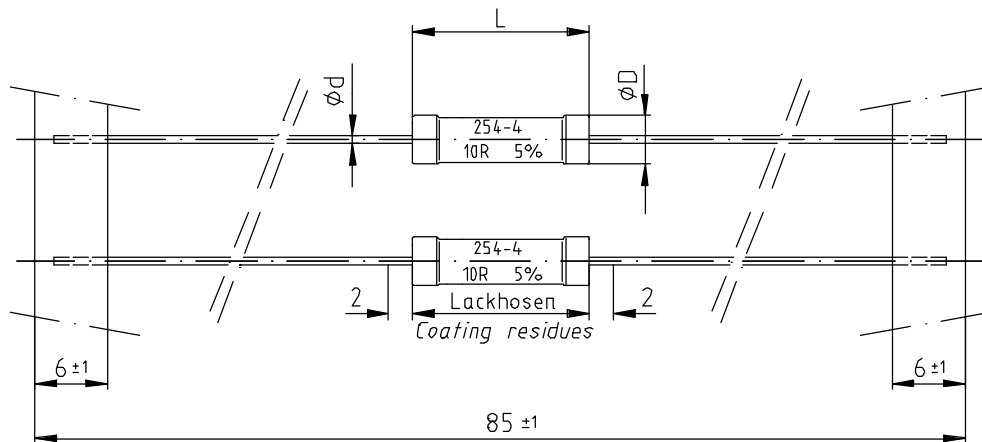
**Note:**

The special construction of resistance values  $\geq 10R$  results in an immediate interruption when mains voltage ( $220V/240V_{RMS}$ ) is applied. No flames, no explosion. After fusing the resistance value is  $> 100K\Omega$ . For other voltages test suitability in the application!

\* Resistance values  $< 10R$  are flame retardant.

The interruption mechanism is not clearly defined and has to be tested in the final application!

Dimensions in mm:



Type	L max.	$\phi D$ max.	$\phi d$
253-4	14,5	4,0	0,65
254-4	12,6	6,0	0,80
256-4	17,0	6,0	0,80
257-4	19,0	8,5	0,80

Distributed by ARTLAND.  
Tel: 852-26900182 Fax: 852-26900213  
E-mail: sales@artland-tech.com  
www.artland-tech.com

## Series CRF



### Power Wirewound resistors flame retardant, safety version

---

Packaging:

Type	Packaging	Pieces	Pack.-Code
253-4	taped/Ammopack	1000	1J
254-4	taped/Ammopack	1000	1J
256-4	taped/Ammopack	1000	1J
257-4	taped/Ammopack	500	1J

Ordering example:      254-4            100R            5%            1J  
Type                    Value            Tolerance      Pack.-Code

Distributed by ARTLAND.  
Tel: 852-26900182 Fax: 852-26900213  
E-mail: sales@artland-tech.com  
www.artland-tech.com